

RADIAL
1250 · 900 · 600P3S

RN
900 · 700 · 450

RADIAL ARM SAWS

WOOD be nice.

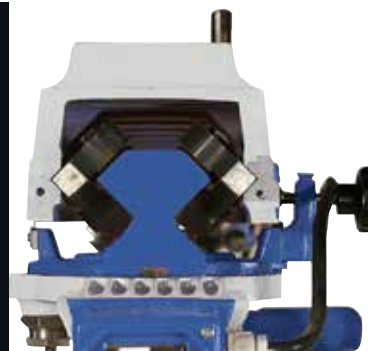
OMGA



RADIAL 1250 · 900

SERIE RADIAL

Heavy-duty line with cast-iron arm. Easily interchangeable prismatic tracks applied (A); the cutting unit slides on eight bearings (B) each fitted with a dust scraper. Self-centring locking devices for both arm rotation and motor angle. Aluminium fences. Option to mount oil-pneumatic feed.



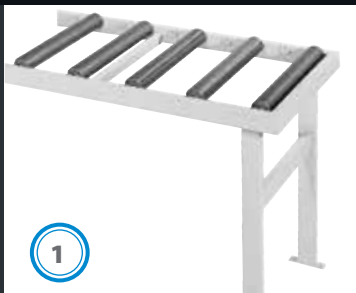
A



B



RADIAL1250 VERSION CE



1

Roller table (2000 / 3000 mm)



2

Grooving head guard (300x60 mm)



3

Fence extension (1000 / 2000 / 3000 / 4000 mm)



4

Automatic head reversal



5

OPTIONAL



RADIAL 900

Oil-pneumatic feed



Frontal clamp

Front lifting handle (R 900)

Special spindles (Ø 30x60)

Flip-over stop (R 1250 - 900)

Pneumatic flip-over stop (R 1250 - 900)

6



RADIAL 600P3S

SERIE RADIAL

Industrial line with cast-iron arm.
Easily interchangeable prismatic tracks (A); the cutting unit slides on eight bearings (B) each fitted with a dust scraper.
Self-centring locking devices for both arm rotation and motor angle. Wooden fences.
Option to mount oil-pneumatic feed.



A

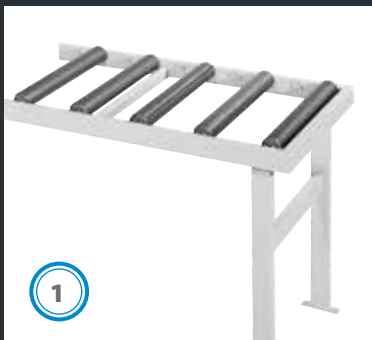


B



RADIAL 600P3S

OPTIONAL



1

Roller table (2000 / 3000 mm)



2

Grooving head guard (300x60 mm)



3

Automatic head reversal

Special spindles (Ø 30x60)



RADIAL 600P3S VERSION CE

Oil-pneumatic feed



Frontal clamp



RN

900 · 700 · 450

SERIE RN

Industrial line with aluminium arm. Interchangeable steel tracks; the cutting unit slides on eight bearings (A) each fitted with a dust scraper. The arm is easily released by means of a lever located on the front of the arm. Self-centring locking devices for both arm (B) rotation and motor angle. Wooden fences.



RN900
VERSION CE



A



B



RN700



Roller table (2000 / 3000 mm)



Grooving head guard (300x60 mm) no CE



Automatic head reversal

	RADIAL 1250	RADIAL 900	RADIAL 600P3S	RN 900	RN 700	RN 450
--	-------------	------------	---------------	--------	--------	--------

	mm A = 30 - 125 B = 1250 - 1170	A = 34 - 125 B = 900 - 825	A = 38 - 90 B = 600 - 505	A = 32 - 90 B = 900 - 825	A = 32 - 90 B = 700 - 640	A = 32 - 90 B = 450 - 390
--	---------------------------------------	-------------------------------	------------------------------	------------------------------	------------------------------	------------------------------

	mm A = 125 B = 1170	A = 125 B = 825	A = 90 B = 505	A = 90 B = 825	A = 90 B = 640	A = 90 B = 390
--	---------------------------	--------------------	-------------------	-------------------	-------------------	-------------------

	mm A = 400 B = 30	A = 400 B = 30	A = 300 B = 30	A = 300 B = 30	A = 300 B = 30	A = 300 B = 30
	RPM 3000	3000	3000	3000	3000	3000

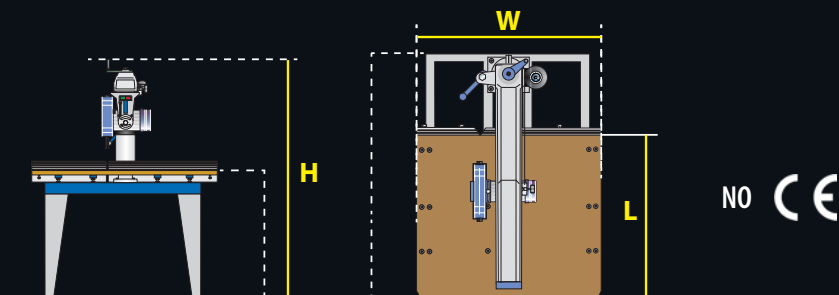
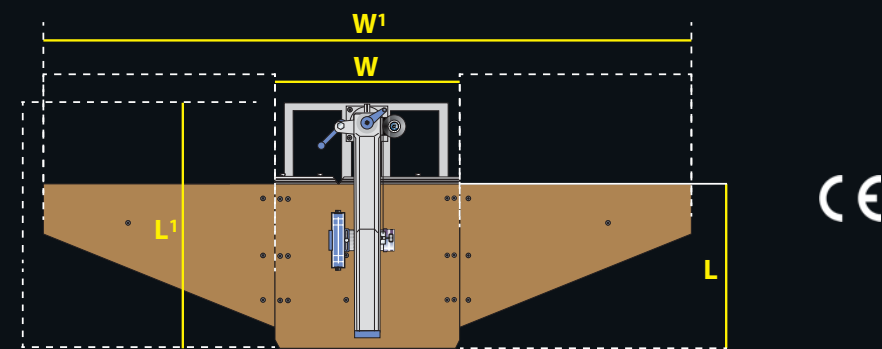
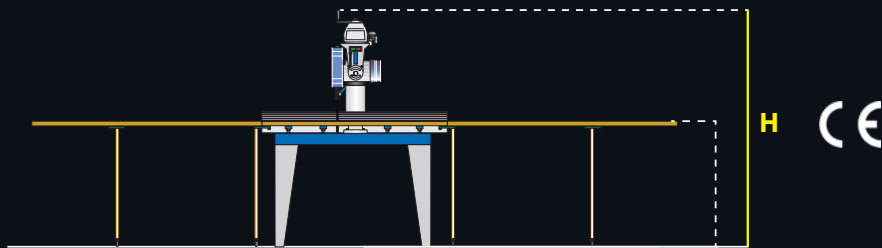
	kW 3,7 - 5,5	3,7 - 5,5	2,9	2,9	2,9	2,9
--	-----------------	-----------	-----	-----	-----	-----

	∅ mm 120	120	120	120	120	120
--	-------------	-----	-----	-----	-----	-----

	N (newton) 4165	3600	1940	2110	1780	1380
--	-----------------------	------	------	------	------	------

	LxWxH mm 2150x1520x1050	1900x1320x1100	1550x440x1080	1700x500x1280	1150x440x1100	1550x440x1100
--	-------------------------------	----------------	---------------	---------------	---------------	---------------

H = 1400	H = 1625	H = 1300	H = 1545	H = 1545	H = 1450
L = 1400	L = 1060	L = 1085	L = 1085	L = 900	L = 840
L' = 2050	L' = 1650	L' = 1485	L' = 1485	L' = 1290	L' = 1030
W = 1400	W = 1190	W = 900	W = 1215	W = 900	W = 800
mm W' = 4800 CE	W' = 4190 CE	W' = 2750 CE	W' = 3095 CE	W' = 2750 CE	W' = 2490 CE



2900204566.03

DIERREGI SRL

VIA DELLA SCIENZA 5
41012 CARPI (MO) - ITALY
PHONE: +39.059.803.0103
FAX: +39.059.803.0113
COD. FISCALE E P.IVA:
IT 03601330362

WWW.OMGA.IT

OMGA[®]
WOOD be nice.