

Hobby power-feeding unit with fixed speeds

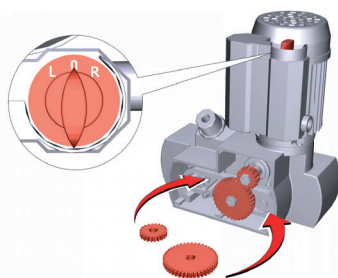
STEFF 2032

Safety device for a safe and effective workpiece feeding on different types of traditional wood-working machines



MODEL FOR THE HOBBYIST

Well-suited to be fixed on small spindle moulders, circular saws, combined machines as well as entry-level edge-banding machines and sanders. This model is manufactured abiding by the same standards required for the professional feeding units.



QUICK SET-UP OF THE FEEDING DIRECTION

The selector, on the motor unit, allows the quick change of the feeding direction back and forth. First 2 speeds are obtained by swapping the internal gears, while replacing them with the set of gears, included in the equipment, You get the additional 2 speeds.



PERFECT GRIP

50-Shore wheels made of patented "Feeder Grip" rubber, providing the longest durability and the highest grip on the workingpiece

- **Improves the safety** : the operator does not have to put his hands close to the tool
- **Improves the finish quality**, thanks to the constant and even feed-rate
- **Feed-rate can be easily selected** to meet every specific working need
- **Easily adjustable** to suit different sizes of work piece



STEFF 2032 SERVICE

Worldwide after-sale service.
Real-time, on-line remote assistance through a dedicated augmented reality APP.
Spare-parts availability for up to 10 years, shipment within 24 hrs

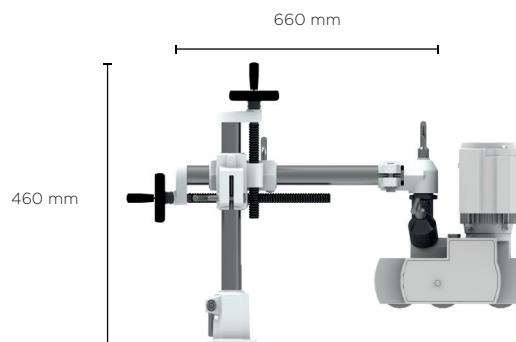
DATA SHEET

N. of speeds back and forth	4
Fixed speeds	4 - 8 - 9 - 18 mt/min
N. of wheels	3
Wheel diameter and thickness	80 x 28 mm
Motor	0,24 HP / 0,18 KW RPM 1400
Wheel suspension	15 mm
Distance between wheels	○○○ 115 mm - 85,7 mm
Distance between first and last wheel	○○○ 200,70 mm
Overall dimensions and net weight of the feeding unit	303 x 152 x 330 mm 10.3 Kg
Overall dimensions and net weight of the stand	919 x 566 mm 18 Kg
Package dimensions and gross weight (feeding unit)	670 x 570 x 330 mm 36 Kg
Package dimensions and gross weight (stand)	Packed with the feeding unit



SAFETY AS A CORE VALUE

A power-feeder improves the safety as it feeds the workpiece close to the tool, while operator's hands are kept at a distance. Its effectiveness depends on specific design and manufacturing criteria. Maggi feeders are the only ones designed and manufactured in Italy and abiding by all EU safety norms.



UNIVERSAL STAND

For easy positioning and adjusting of the feeding unit on the machine tool. It is easy to fix, stable and strong : foot, cross-shaped piece, pipe and joint are made of cast-iron and the two columns are made of rectified steel of considerable thickness.

MAGGI TECHNOLOGY
Via delle Regioni, 299
50052 Certaldo (Firenze) Italia

SERVICE
+39 0571 635 433
service@maggi-technology.com

SALES
+39 0571 635 474
sales@maggi-technology.com

