



*Professional  
power-feeding  
unit with fixed  
speeds*

## STEFF 2034

Safety device for a safe and effective workpiece feeding on different types of traditional wood-working machines



### HIGH-QUALITY END PRODUCTS

3-wheel model : the ideal solution for the feeding of laths and medium or small-size workpieces. Thanks to the two infeed-wheels and the third outfeed one, the workpiece is constantly and evenly fed through the working process, thus remarkably improving the quality of the end products.



### QUICK SET-UP

The speed selector allows a quick set-up of the 1st and the 2nd feed-rate and the quick change of the feeding direction back and forth; while swapping the internal gears. You obtain the 4 speeds.



### PERFECT GRIP

50-Shore wheels made of patented "Feeder Grip" rubber, providing the longest durability and the highest grip on the workingpiece

- **Improves the safety** : the operator does not have to put his hands close to the tool
- **Improves the finish quality**, thanks to the constant and even feed-rate
- **Feed-rate can be easily selected** to meet every specific working need
- **Easily adjustable** to suit different sizes of work piece



## STEFF 2034 SERVICE

Worldwide after-sale service.  
Real-time, on-line remote assistance through a dedicated augmented reality APP.  
Spare-parts availability for up to 10 years, shipment within 24 hrs

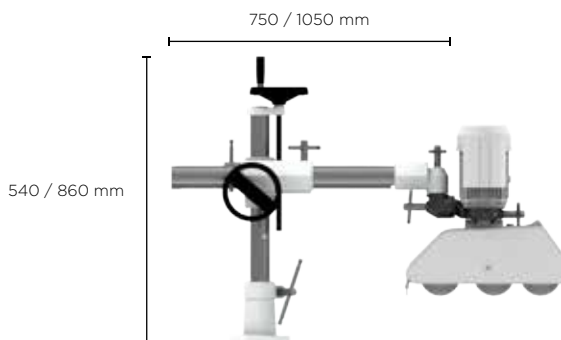
## DATA SHEET

|   |                                  |
|---|----------------------------------|
| N. of speeds back and forth                           | 4                                |
| Fixed speeds  | 4 - 8 -11 - 22 mt/min            |
| N. of wheels  | 3                                |
| Wheel diameter and thickness                          | 120 x 60 mm                      |
| Motor   | 1 HP / 0,75 KW    RPM 1400 /2800 |
| Wheel suspension                                      | 20 mm                            |
| Distance between wheels                               | ○○○ 133 mm - 153 mm              |
| Distance between first and last wheel                 | ○○○ 286 mm                       |
| Overall dimensions and net weight of the feeding unit | 474 x 220 x 490 mm 30 Kg         |
| Overall dimensions and net weight of the stand        | 540 x 910 mm 35 Kg               |
| Package dimensions and gross weight (feeding unit)    | 670 x 570 x 330 mm 32 Kg         |
| Package dimensions and gross weight ( stand)          | 800 x 330 x 330 mm 37 Kg         |



### SAFETY AS A CORE VALUE

A power-feeder improves the safety as it feeds the workpiece close to the tool, while operator's hands are kept at a distance. Its effectiveness depends on specific design and manufacturing criteria. Maggi feeders are the only ones designed and manufactured in Italy and abiding by all EU safety norms.



### UNIVERSAL STAND

For easy positioning and adjusting of the feeding unit on the machine tool. It is easy to fix, stable and strong : foot, cross-shaped piece, pipe, joint and collar are made of cast-iron and the two columns are made of rectified steel of considerable thickness.

**MAGGI TECHNOLOGY**  
Via delle Regioni, 299  
50052 Certaldo (Firenze) Italia

**SERVICE**  
+39 0571 635 433  
service@maggi-technology.com

**SALES**  
+39 0571 635 474  
sales@maggi-technology.com

